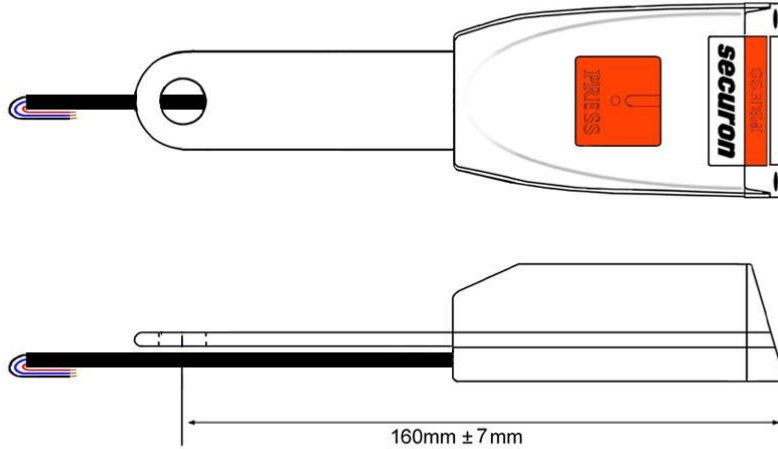


BUCKLE ELECTRICALLY WIRED

Rigid Twin Release buckle electrically wired. (Type /15EL)



WIRE LENGTH

Free wire outside Buckle Housing = 270mm ± 15mm.

SWITCH TYPE: IP67

Rated voltage(V)	Resistive Load
12VDC	2A
24VDC	1A
42VDC	0.5A

WIRE ENDS

The wire ends are barred over approximately 6mm.

WIRE COLOUR

The wire colours are Blue/Black/Red.

OPERATION

- Tongue disengaged from Buckle	= Open Circuit	} Blue/Black Connected
- Tongue engaged in Buckle	= Closed Circuit	
- Tongue disengaged from Buckle	= Closed Circuit	} Black/Red Connected
- Tongue engaged in Buckle	= Open Circuit	

(SEE FURTHER DATA OVERLEAF)

ISSUE 6 (SEPTEMBER 2009)